

Product No. **7300-410-12**
 S No.
 EAN No. **7312907300224**



Aton Giza

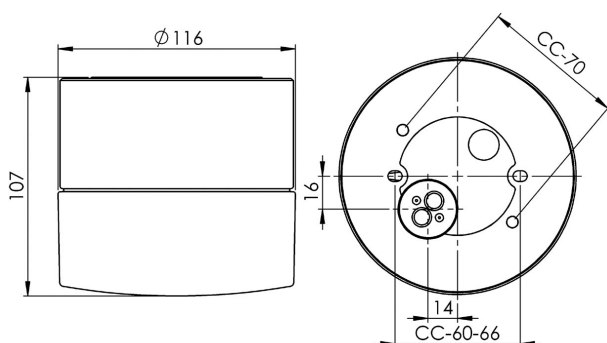
Aton, a sun god of Egyptian mythology, has given his name to this beautiful series. These light fittings works well both alone or in groups.

Specification

Base material	Porcelain
Lampholder	GX53
Light source	Max 13W (not incl.)
Voltage	230V
Installation	Ceiling/wall
Base colour	Grey NCS S 6005-G50Y
Safety class	II
Protection class	IP44
Energy class	-
T _a	-30 - +25
Height	107 mm
Diameter Ø	116 mm
Glass	Clear glass
Thread	99 mm
Weight	0,9 kg
Design	Håkan Svennesson SD

Installation

Insert the mains supply cable through the bottom inlet. Fix the light fitting to the wall or to the ceiling with suitable screws. Connect the leads to the terminals and fasten the light source. Fasten the shade by turning it clockwise. Make sure the gasket between the shade and the base is in place.



Technical information

Silicone gasket between glass and base. Four Ø 5 mm holes for installation, Two holes CC measurement 60-66 mm, alternatively two hidden holes CC measurement 70 mm. One bottom inlet for two mains supply cable. Terminal for connection of max 2 x 3.5 mm². Bridging is possible. Bottom inlet. No knock out openings. The shade is hand-blown, therefore they are all unique, minor variations may occur.

Maintenance

Switch off the power to the fixture. Remove the shade and clean it. Do not use cleaning agents containing solvents. Change the light source if necessary. Check the gasket and change it if necessary. Replace the shade.

Spare parts

Shade: Part no 1-6190-10
 Gasket: Part no 03542

If the luminaire is modified the person responsible for the modification shall be considered manufacturer. Subject to errors in text. We reserve the right to change the technical specifications (without notice).